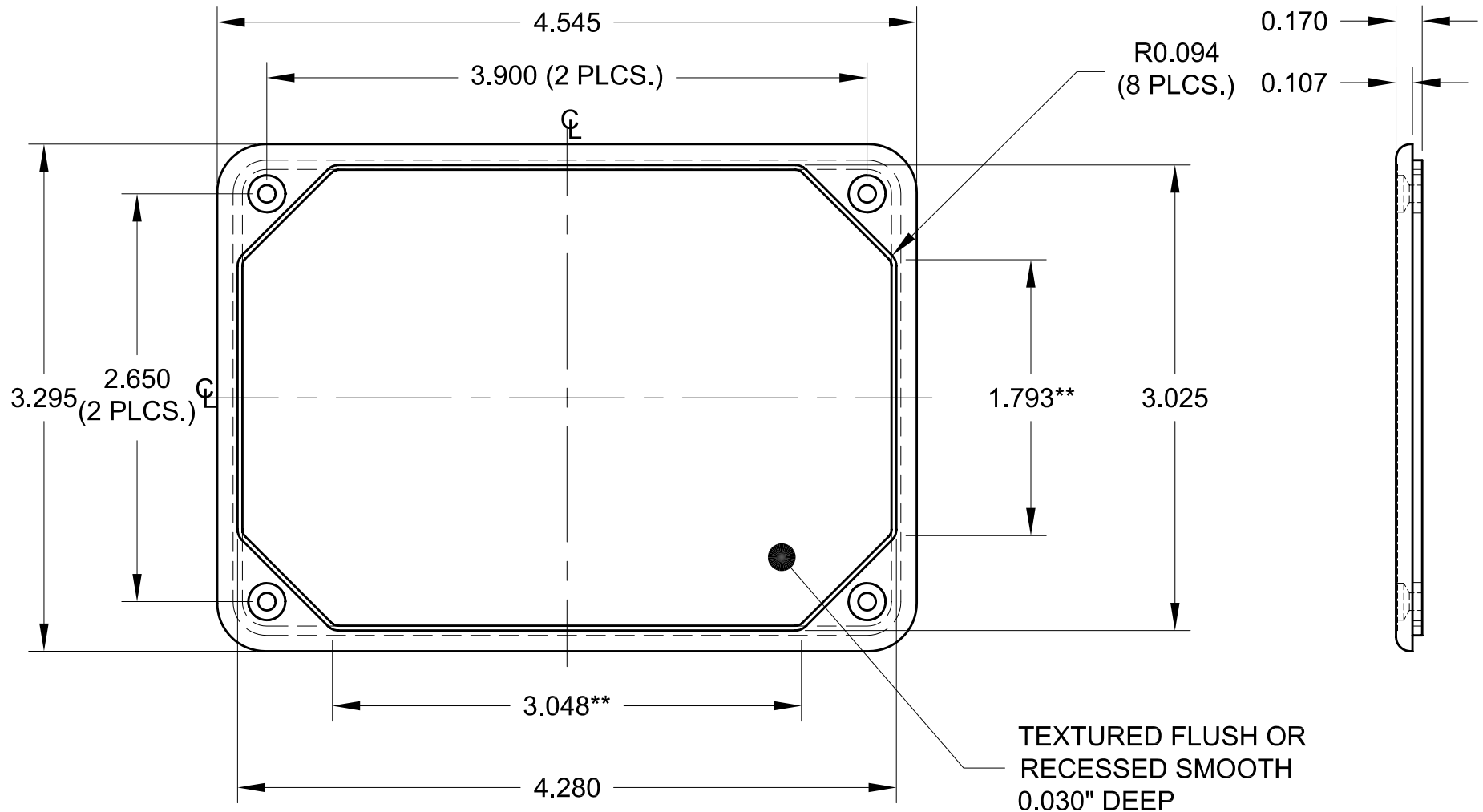


NOTES:
 1.) PC BOARD BOSSES WILL ACCEPT A #4 X 1/4" THREAD FORMING SCREW (SCREWS AVAILABLE FROM POLYCASE)

						DRWN BY	APP. BY	SCALE	DATE:
						M.M.T.	B.B.	FULL	09/14/00
						JOB NO:	PRODUCT:		
						-	LP-51B		
						CUSTOMER:			
						TITLE: PRODUCT DETAIL DRAWING			
REV	DESCRIPTION	BY	CHK	DATE	TOLERANCES UNLESS OTHERWISE SPECIFIED X.XX ±.020 X.XXX ±.010		1305 CHESTER IND. PARKWAY AVON, OHIO 44011 U.S.A. PH# 1-800-248-1233, 440-934-0444 FAX# 440-934-2088 THIS DRAWING AND THE INFORMATION CONTAINED ARE THE PROPERTY OF POLYCASE AND IT IS NOT TO BE REPRODUCED, COPIED OR USED IN ANY WAY DETRIMENTAL TO THE INTEREST OF POLYCASE.		



NOTES:
 1) ** DIMENSIONS TO TYPICAL SHARP CORNER

						DRWN BY M.M.T.	APP. BY B.B.	SCALE FULL	DATE: 09/14/00
						JOB NO: -	PRODUCT: -		
						CUSTOMER:			
						TITLE: PRODUCT DETAIL DRAWING			
REV	DESCRIPTION	BY	CHK	DATE	TOLERANCES UNLESS OTHERWISE SPECIFIED X.XX ±.020 X.XXX ±.010	1305 CHESTER IND. PARKWAY AVON, OHIO 44011 U.S.A. PH# 1-800-248-1233, 440-934-0444 FAX# 440-934-0088 THIS DRAWING AND THE INFORMATION CONTAINED ARE THE PROPERTY OF POLYCASE AND IT IS NOT TO BE REPRODUCED, COPIED OR USED IN ANY WAY DETRIMENTAL TO THE INTEREST OF POLYCASE.			